



**ARISTON**

# SPARE PARTS EXPLODED VIEW STORAGE ELECTRIC WATER HEATERS

Model

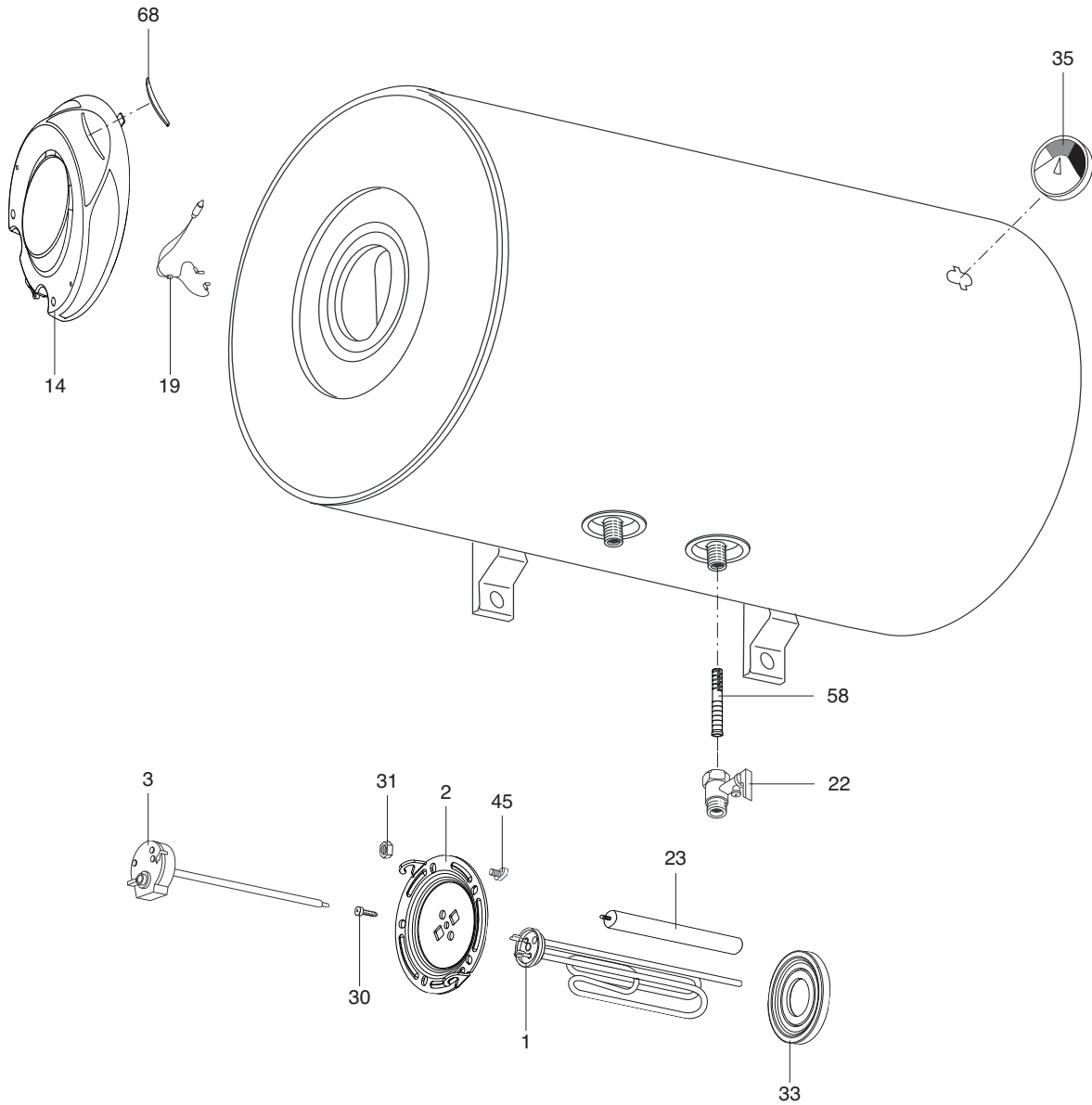
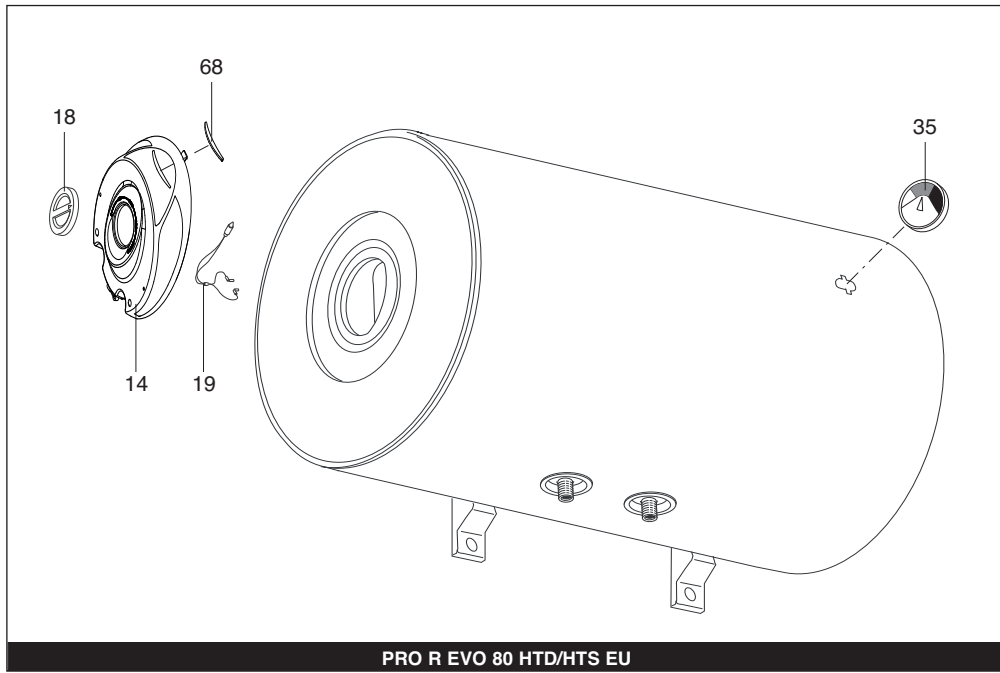
## **PRO EVO H EU**

R8217913-02 - 29/09/2017

PRO EVO H EU

Storage Electric Water Heaters

|          |           |                        |         |     |
|----------|-----------|------------------------|---------|-----|
| <b>1</b> | 3201207   | PRO EVO 80 H/3 EU      | 06-2017 | -   |
| <b>2</b> | 3201227   | PRO R EVO 80 HTD EU    | 10-2017 | -   |
| <b>3</b> | 3201228   | PRO R EVO 80 HTS EU    | 10-2017 | -   |
| <b>4</b> | 3201405   | PRO R EVO ST 80 HTD EU | 10-2017 | -   |
| <b>5</b> | 3201406   | PRO R EVO ST 80 HTS EU | 10-2017 | -   |
| <b>6</b> | 3201208   | PRO EVO 100 H/3 EU     | 06-2017 | -   |
| Col      | Reference | Model type             | Begin   | End |





## LIST OF THE ABBREVIATIONS

|             |  |
|-------------|--|
| HW .....    | : Hot water.                                   |
| CW .....    | : Cold water.                                  |
| C .....     | : Ceramic resistance (normal heating).         |
| Ca .....    | : Ceramic resistance (accelerated heating)     |
| TP .....    | : Immersion heater.                            |
| 1F .....    | : With fittings.                               |
| 2F .....    | : Without fittings.                            |
| 3F .....    | : With fittings and another outlet connection. |
| AMI .....   | : With mixing valve.                           |
| SMI .....   | : Without mixing valve.                        |
| PUISS ..... | : Power of th appliance.                       |
| PN .....    | : Appliance with normal pression.              |
| LP .....    | : Appliance with low pression.                 |
| PV .....    | : Appliance with variable power.               |
| PF .....    | : Appliance with fixed power.                  |

## IDENTIFICATION PLATE

### SERIAL NUMBER

**6 Characters :**  
 Year of manufacture 03 09 08 Manufacturing day  
 Month of manufacture

**9 Characters :**  
 Year of manufacture M 12 10 0606 Sequential number  
 Month of manufacture

**14 Characters :**  
 SI-V-0B0 45 07 0001  
 Sequential number  
 Year of manufacture : 6 → 2004  
 Month of manufacture : → 25 → January 43 → July 7 → 2005  
 13 → February 29 → August 8 → 2006  
 32 → March 40 → September etc ...  
 35 → April 38 → October  
 39 → May 51 → November  
 45 → June 12 → December  
 Product model

**15 Characters :**  
 Year of manufacture 02 11 00001 007843 Code appareil  
 Month of manufacture Sequential number

**21 Characters :**  
 Product reference 3200050 XX 08115 0000001 Sequential number  
 Year (08) / Manufacturing day (115)

**22 Characters :**  
 Product reference 3200050 XX 070115 0000001 Sequential number  
 Year (07) / Month (01) / Manufacturing day (15)

The indications mentioned on the prices, commercial or technical literature and the scheme are written for your guidance and are available at a given time. The CONSTRUCTOR retains the power to modify the presentation, the form, the size, the conception or the material of the products.